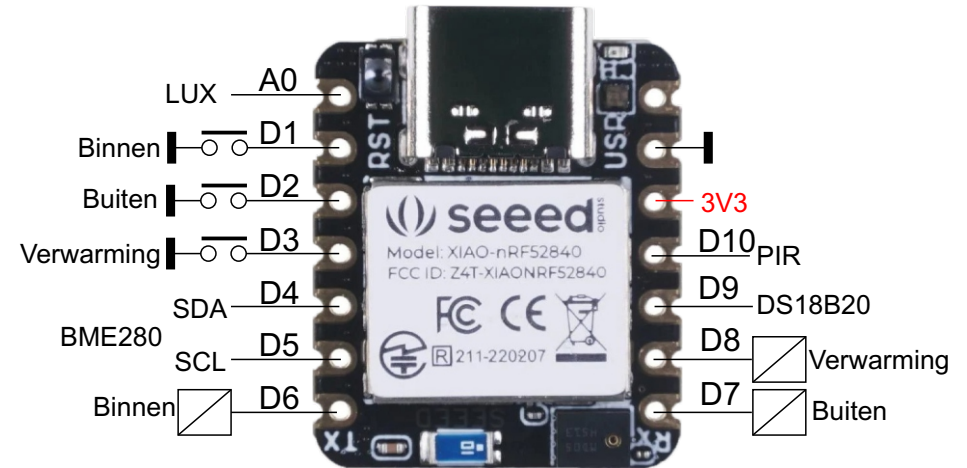
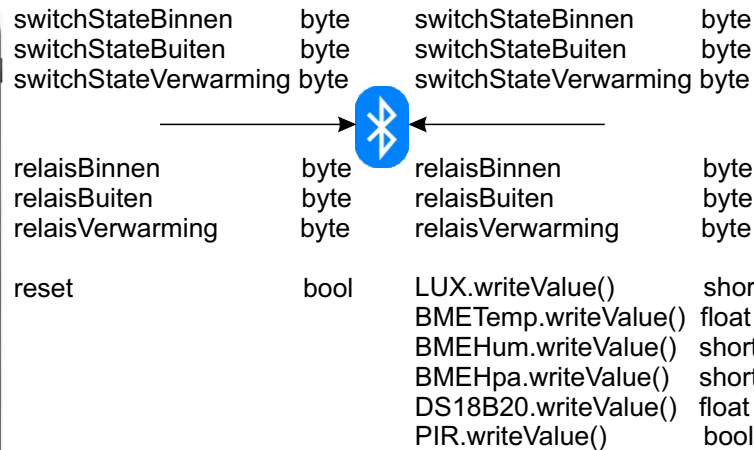
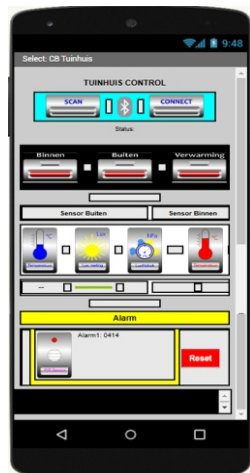


Central A55 Samsung

Peripheral nRF52840



3 switches with 10k to ground
 switch_State[0].writeValue() bool
 switch_State[1].writeValue() bool
 switch_State[2].writeValue() bool

```
initialize global TuinhuisControl to "19B10010-E8F2-537E-4F6C-D104768A1214"
```

```
initialize global relaisBinnen to "19B10011-E8F2-537E-4F6C-D104768A1214"
```

```
initialize global relaisBuiten to "19B10012-E8F2-537E-4F6C-D104768A1214"
```

```
initialize global relaisVerwarming to "19B10013-E8F2-537E-4F6C-D104768A1214"
```

```
initialize global switchStateBinnen to "19B10014-E8F2-537E-4F6C-D104768A1214"
```

```
initialize global switchStateBuiten to "19B10015-E8F2-537E-4F6C-D104768A1214"
```

```
initialize global switchStateVerwarming to "19B10016-E8F2-537E-4F6C-D104768A1214"
```

```
initialize global DS18B20 to "19B10017-E8F2-537E-4F6C-D104768A1214"
```

```
initialize global BMETemp to "19B10018-E8F2-537E-4F6C-D104768A1214"
```

```
initialize global BMEHum to "19B10019-E8F2-537E-4F6C-D104768A1214"
```

```
initialize global BMEHpa to "19B1001A-E8F2-537E-4F6C-D104768A1214"
```

```
initialize global LUX to "19B1001B-E8F2-537E-4F6C-D104768A1214"
```

```
initialize global PIR to "19B1001C-E8F2-537E-4F6C-D104768A1214"
```

```
BLEService TuinhuisControl("19B10010-E8F2-537E-4F6C-D104768A1214");
```

```
BLEByteCharacteristic relaisBinnen("19B10011-E8F2-537E-4F6C-D104768A1214", BLERead | BLEWrite | BLENotify);
BLEByteCharacteristic relaisBuiten("19B10012-E8F2-537E-4F6C-D104768A1214", BLERead | BLEWrite | BLENotify);
BLEByteCharacteristic relaisVerwarming("19B10013-E8F2-537E-4F6C-D104768A1214", BLERead | BLEWrite | BLENotify);
BLEByteCharacteristic switchStateBinnen("19B10014-E8F2-537E-4F6C-D104768A1214", BLERead | BLEWrite);
BLEByteCharacteristic switchStateBuiten("19B10015-E8F2-537E-4F6C-D104768A1214", BLERead | BLEWrite);
BLEByteCharacteristic switchStateVerwarming("19B10016-E8F2-537E-4F6C-D104768A1214", BLERead | BLEWrite | BLENotify);
```

```
BLEFloatCharacteristic DS18B20("19B10017-E8F2-537E-4F6C-D104768A1214", BLERead | BLEWrite | BLENotify);
BLEFloatCharacteristic BMETemp("19B10018-E8F2-537E-4F6C-D104768A1214", BLERead | BLENotify);
BLEShortCharacteristic BMEHum("19B10019-E8F2-537E-4F6C-D104768A1214", BLERead);
BLEShortCharacteristic BMEHpa("19B1001A-E8F2-537E-4F6C-D104768A1214", BLERead);
BLEShortCharacteristic LUX("19B1001B-E8F2-537E-4F6C-D104768A1214", BLERead);
BLEBooleanCharacteristic PIR("19B1001C-E8F2-537E-4F6C-D104768A1214", BLERead | BLEWrite | BLENotify);
//BLEBooleanCharacteristic ResetPIR("19B1001D-E8F2-537E-4F6C-D104768A1214", BLERead | BLEWrite | BLENotify);
```